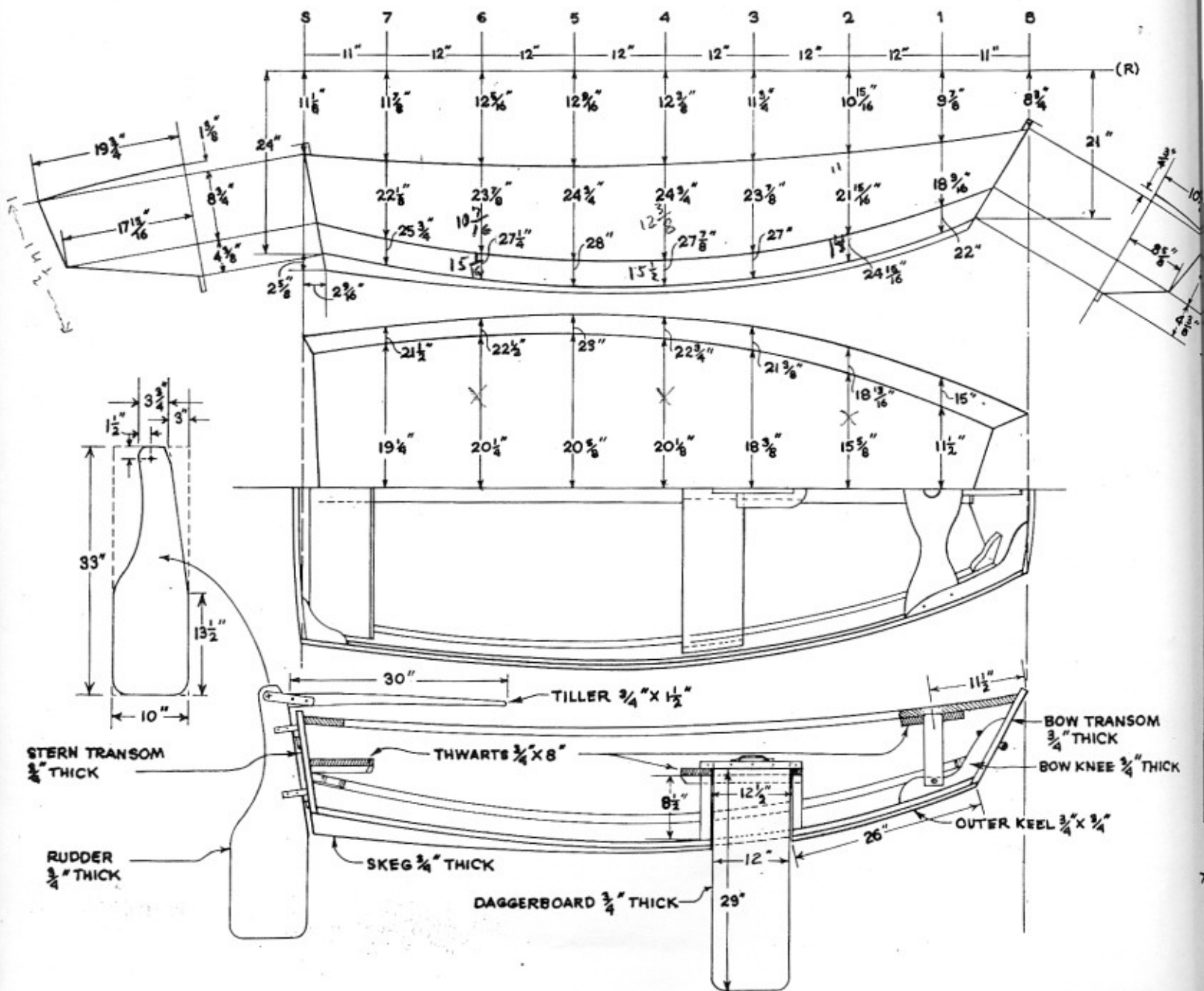
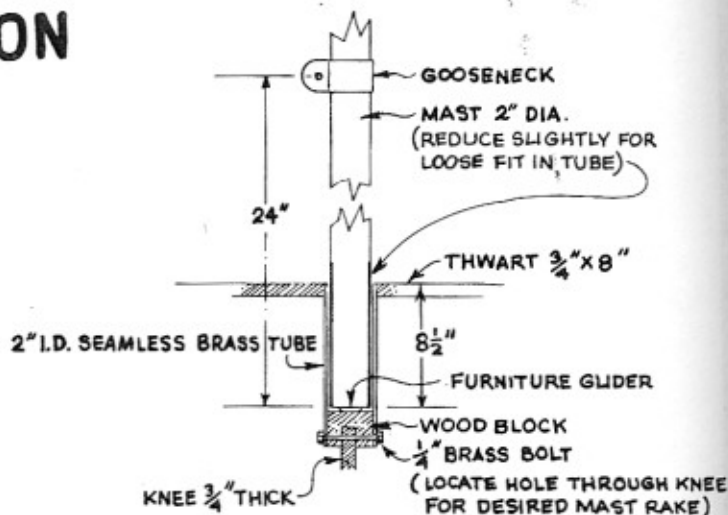
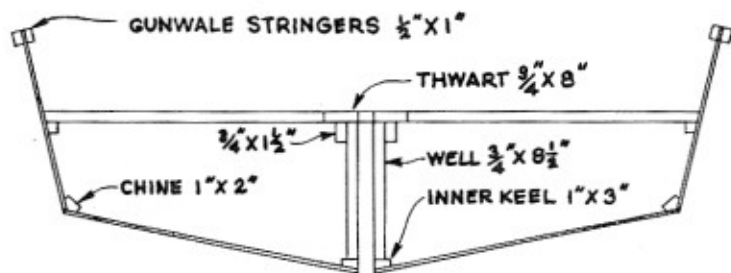
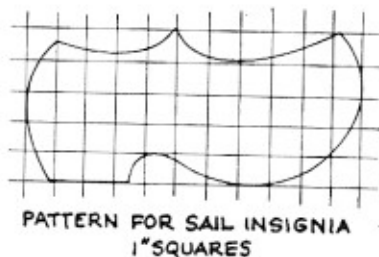
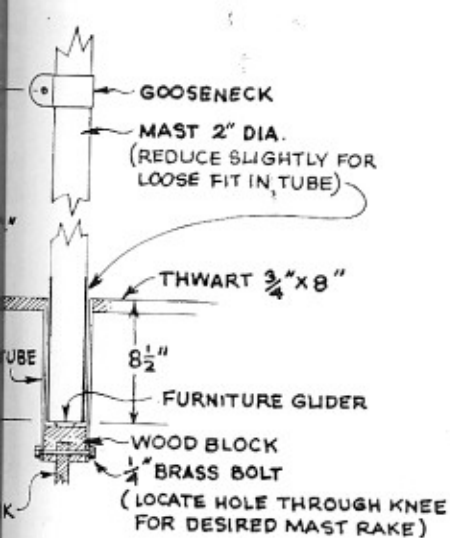
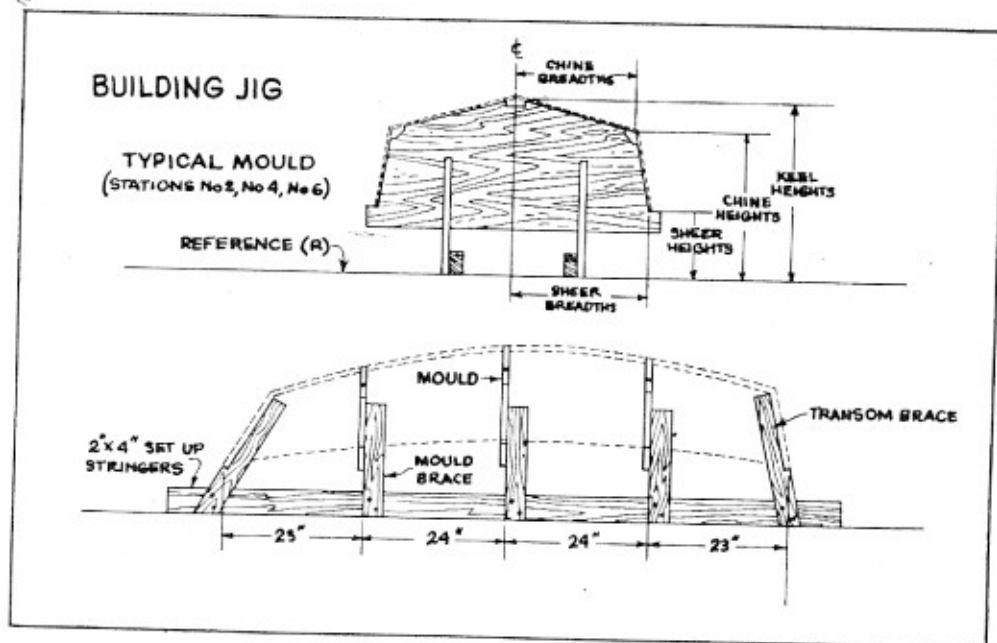
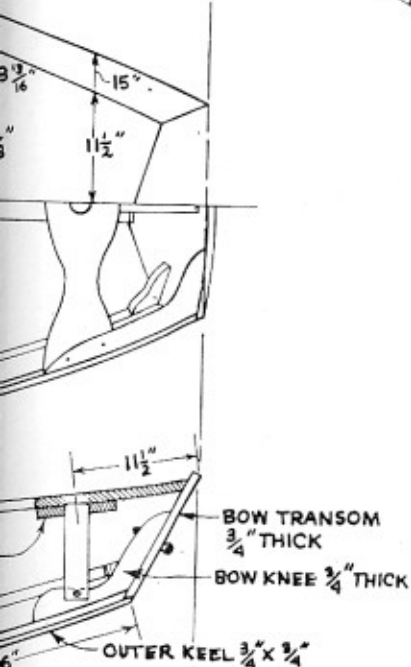
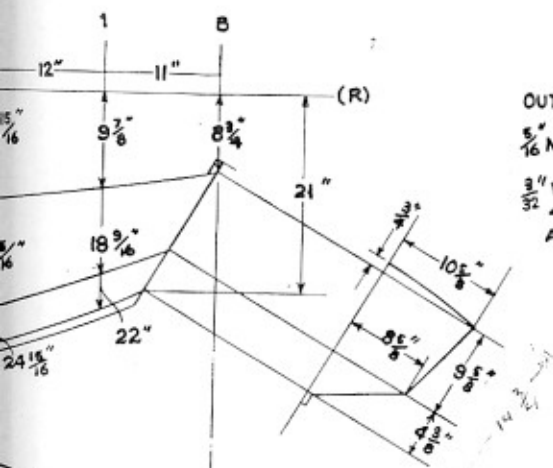
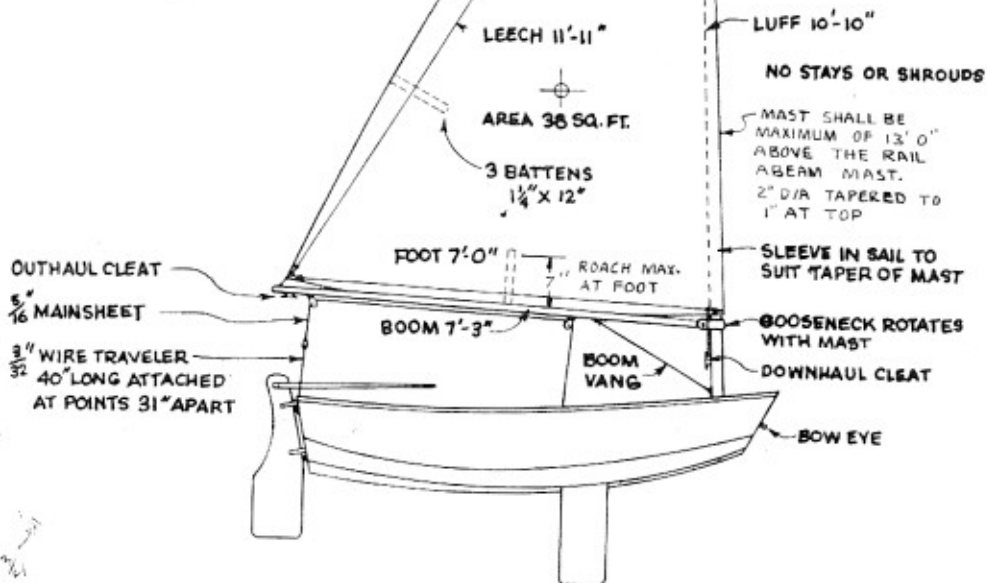


WIN'ARD SABOT ASSOCIATION BUILDING PLANS *





BOAT NUMBERS ASSIGNED BY
 WIN'ARD SABOT ASSOCIATION
 9" x 6" x 1 $\frac{1}{2}$ "



*NOTE: Specific details shown in these plans are in many cases optional.
 Win'ard Sabot Class design restrictions are given in the Win'ard Sabot
 Association Specifications.